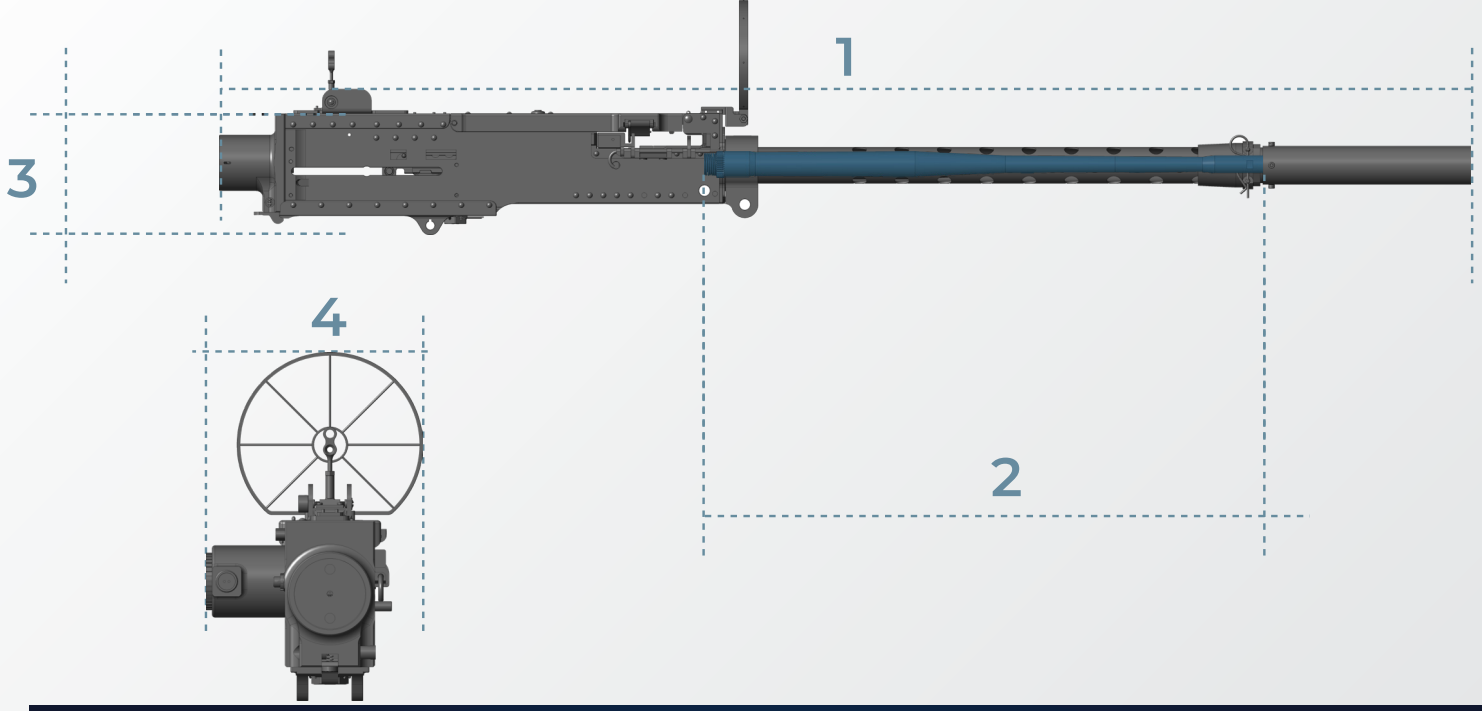


## SAR 127 MT AIR

### AĞIR MAKİNELİ TÜFEK / HEAVY MACHINE GUN

#### TEKNİK VERİ (TECHNICAL DATA)

KALİBRE (CALIBER)	12.7 x 99 mm NATO
ÇALIŞMA SİSTEMİ (OPERATING PRINCIPLE)	KISA GERİ TEPMELİ (SHORT-RECOIL OPERATED) MEKANİZMASI AÇIK POZİSYONLU (OPEN BOLT)
BESLEME (AMMUNITION FEED)	MAYON (M9) SAĞ & SOL BESLEME (RIGHT & LEFT FEED)
ATEŞLEME MODU (MODES OF FIRE)	SERİ ATIŞ (FULL AUTO)
TETİK AĞIRLIĞI (TRIGGER PULL)	190-200 N
ATIM SAYISI (RATE OF FIRE)	950 - 1150 ATIM / DAKİKA (950-1150 RPM)
DAĞILIM (ACCURACY)	8 MOA
ETKİLİ MENZİL (EFFECTIVE RANGE)	1850 m
YİV-SET (RIFLING)	8 SAĞ 381 mm (8RH 1/15")
NAMLU ÇIKIŞ HIZI (MUZZLE VELOCITY)	860 m/s (±30 m/s)
SELENOID CONNECTOR TİPİ (SELENOID CONNECTOR TYPE)	D38999 / 20WB2PN



### EBATLAR (DIMENSIONS)

1- TOPLAM UZUNLUK (TOTAL LENGTH)	1665 mm ( $\pm 10$ mm) 65.5"
2- NAMLU UZUNLUĐU (BARREL LENGTH)	915 mm ( $\pm 5$ mm) 36"
3- YÜKSEKLİK (HEIGHT)	309 mm ( $\pm 5$ mm) 12.1"
4- GENİŐLİK (WIDTH)	191 mm ( $\pm 5$ mm) 7.5"

### AĐIRLIK (WEIGHT)

TÜFEK AĐIRLIĐI (MACHINE GUN WEIGHT)	32700 g ( $\pm 300$ g) 1153 oz
-------------------------------------	--------------------------------

### GENEL ÖZELLİKLERİ (GENERAL FEATURES)

- SERT KROM KAPLI NAMLU (CHROMED BARREL)
- SAĐ-SOL BESLEME SİSTEMİ (LEFT AND RIGHT FEED)
- SELENOİD ATEŐLEME SİSTEMİ (SELENOID FIRING SYSTEM)
- ALEV GİZLEYEN (FLASH HIDER)
- PLATFORMALARA ve HAVA ARAÇLARINA UYGUN (SUITABLE FOR AIRCRAFT and PLATFORMS)
- MIL-STD 1913 PİKATİNİ RAYLI (MIL-STD 1913 PICATINNY RAIL)
- DELİKLİ NAMLU GÖMLEĐİ (PERFOROTED BARREL JACKET)
- NAMLU ÖMRÜ 10000 ATIM (USEFUL BARREL LIFE OF 10000 ROUNDS)
- HAVA SAVUNMA NİŐANGAHI (ANTI AIRCRAFT SIGHT)

REVO - 09/01/2024

SARSILMAZ SİLAH SANAYİ A.Ő.  
Düzce 1. Organize Sanayi Bölgesi  
5. Cadde No:12 Beyköy Beldesi  
Düzce / TÜRKİYE

TELEFON:  
+90 (380) 548 8011  
FAKS:  
+90 (380) 548 85 63

E-MAIL:  
sarsilmaz@sarsilmaz.com



sarsilmaz.com

